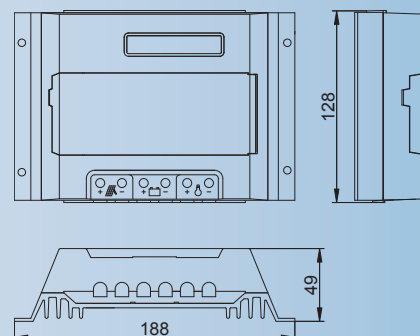




## Solar Charge Controller



# Steca Solarix

2401, 4401

Power class

40 A



The Steca Solarix 2401 and 4401 controllers complete the product range of the Solarix Omega 30 Amps controller to 40 Amps solar current, available in 12 V, 24 V and 48 V. The load current is limited to 10 Amps. The charging procedures are based on voltage levels which can be individually adjusted by four buttons behind the front cover.

### Certificates

- conform to European Standards (CE)
- Made in Germany
- manufactured in a
  - DIN EN ISO 9001:2000 and
  - DIN EN ISO 14001 facility

### Features

- voltage regulation
- PWM shunt battery charging
- boost charging
- equalising charge
- float charging
- automatic load reconnection
- automatic selection of voltage for 12 V / 24 V
- temperature compensation
- positive grounding
- (or) negative grounding on one terminal
- field adjustable parameters by four buttons
- RJ45 interface

### Electronic Protections

- high voltage disconnect (HVD)
- low voltage disconnect (LVD)
- reverse polarity of solar modules
- reverse polarity of load & battery
- short circuit of solar modules
- short circuit of load
- over temperature
- over voltage
- lightning protection by varistor
- low electronic interference (EMC)
- open circuit battery
- reverse current at night

### Displays

- one line LCD displaying the voltage of the battery and all currents



Solar Charge Controller	2401	4401
system voltage	12 V / (24 V)	48 V
max. module input short circuit current	40 A	40 A
max. load output current	10 A	10 A
max. self consumption	14 mA	
end of charge voltage (float)	13.7 V (27.4 V)	54.8 V
boost charge voltage	14.4 V (28.8 V)	57.6 V
equalisation charge (deactivated for gel)	14.7 V (29.4 V)	58.8 V
reconnection setpoint (LVR)	12.6 V (25.2 V)	50.4 V
deep discharge protection (LVD)	11.1 V (22.2 V)	44.4 V
ambient temperature allowed	-10 °C...+60 °C	
terminal size (fine / single wire)	16 mm <sup>2</sup> / 25 mm <sup>2</sup>	
enclosure protection class	IP 22	
weight	550 g	
dimensions l x w x h	188 x 128 x 49 mm	

Technical data at 25 °C / 77 °F