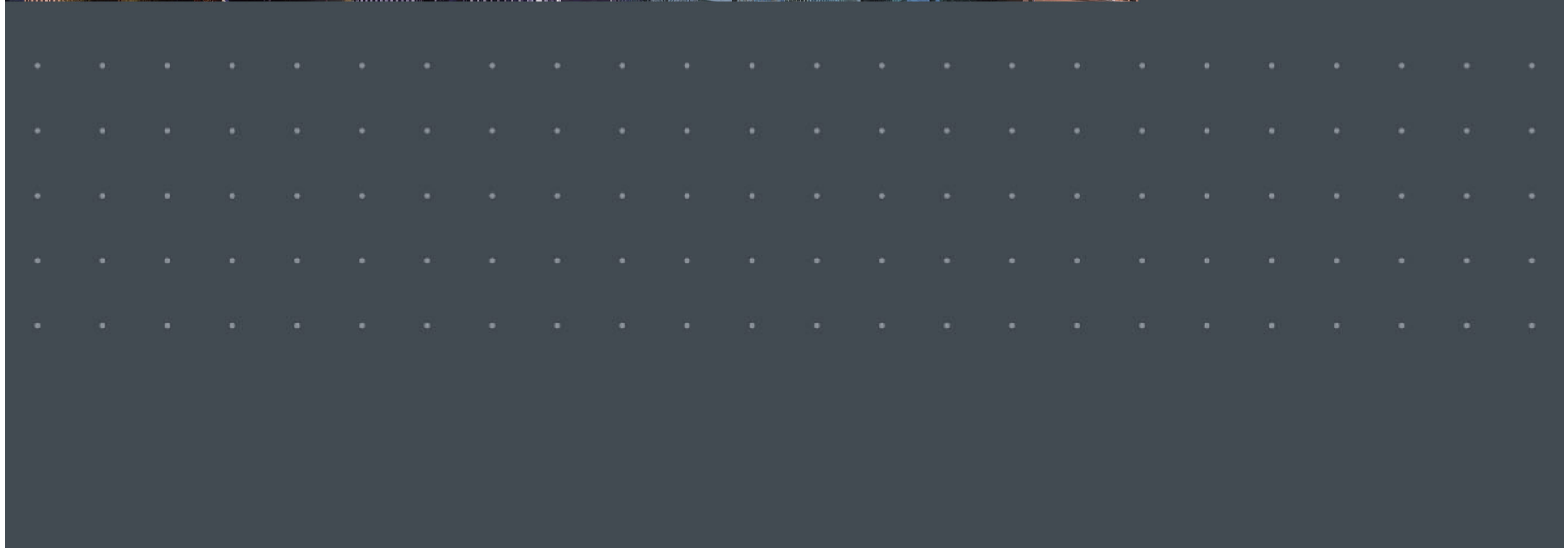


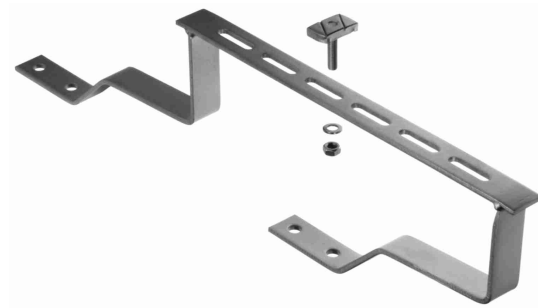
# Roof anchors



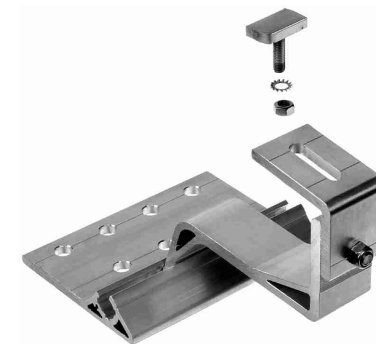
# On roof system - roof anchors



Pantile-1-AL



Pantile -2



Pantile -3



Slate



Plain tile



Metal roof

## Flat fixing screw



Long screw used to fix flat roof systems to suitable building structure

Available in 200mm and 250mm lengths

Ay questions?

