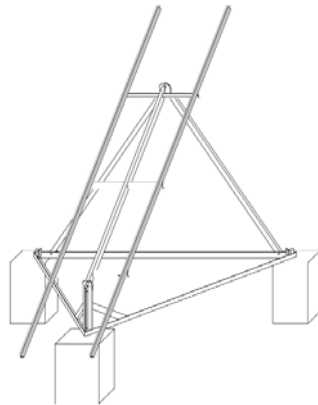
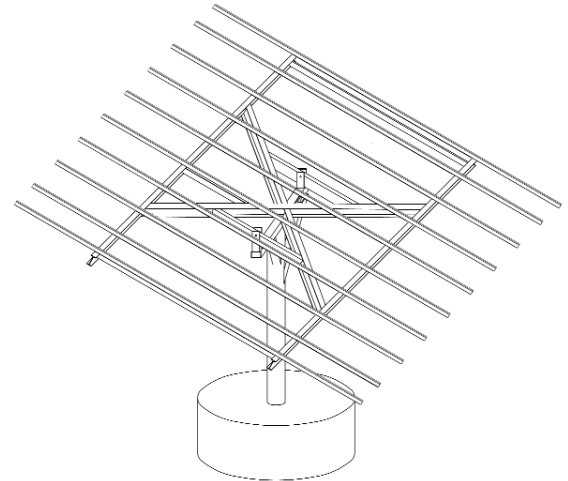


DEGER TOPtraker® 8.5 / 40NT

Single-axis, active tracking systems



DEGER TOPtraker® 8.5
with concrete foundation for open land installation



DEGER TOPtraker® 40NT

DEGER TOPtraker® 8.5 / 40NT

Single-axis, active tracking system
suitable for all current solar modules

Areas of application:

- For increased performance for all photovoltaic applications.
- For open spaces and landfills.
- For all current modules.

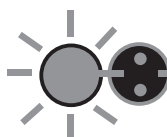
	TOPtraker® 8.5	TOPtraker® 40NT
For solar energy capacity	500 ... 1,290 Wp	4,000 ... 6,400 Wp
Module area up to	8.5 m ²	40 m ²
Angle of inclination - south	30°	Standard 30° / optional 0° and 15°
Elevation inclination angle	30° ... 50°	0° ... 45°
Control unit	DEGERconector	
Operating voltage	20 ... 40 VDC	Energy converter V
East - west drive	420 mm stroke path	850 mm stroke path
Internal power consumption control mode	0.01 Watt	
with operating drives	5 Watts	9 Watts
Power consumption per year	0.3 kWh	2.5 kWh
Mast height	---	3.3 m / optional 4.5 m
Weight	115 kg	650 kg
Maintenance	maintenance-free	
Geographic region	Equator ... 60° latitude	
Art.no.:	1110001	1130001

The systems are designed in accordance with DIN 1055-4 (03/2005). Project-specific assimilation to regional provisions.
Subject to technical changes for future improvements.

Scope of delivery:

Complete tracking system in the optimised azimuth axis, DEGERconector control electronics, module bearing system in aluminium, compatible with the module type used, installation instructions.

Available at any time: From your solar equipment retailer.



DEGERenergie
Tracking Systems

DEGERenergie GmbH • 72160 Horb/Germany
info@DEGERenergie.com • www.DEGERenergie.com