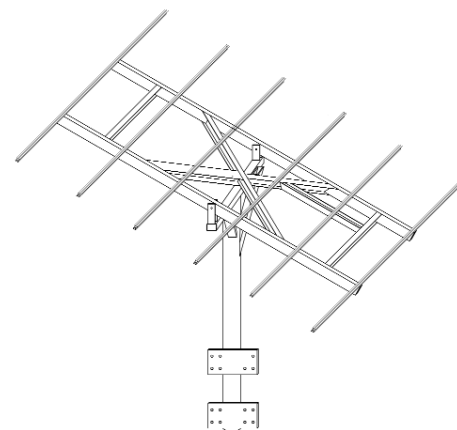


DEGER TOPtraker® 8.5 / 25HD

Single-axis, active tracking systems



DEGER TOPtraker® 8.5
without concrete foundations for flat roof installation



DEGER TOPtraker® 25HD

DEGER TOPtraker® 8.5 / 25HD

Single-axis, active tracking systems suitable for all current solar modules

Areas of application:

- For increased performance for all photovoltaic applications.
- For flat roofs, landfills and buildings.
- For all current modules.

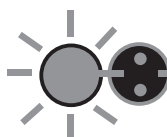
	TOPtraker® 8.5	TOPtraker® 25HD
For solar energy capacity	500 ... 1,290 Wp	2,000 ... 3,800 Wp
Module area up to	8.5 m ²	25 m ²
Angle of inclination - south	30°	Standard 30°/ optional 0° and 15°
Elevation inclination angle	30° ... 50°	0° ... 45°
Control unit	DEGERconecter	
Operating voltage	20 ... 40 VDC	Energy converter V
East - west drive	420 mm stroke path	850 mm stroke path
Internal power consumption:	0.01 Watt	
control mode		
with operating drives	5 Watts	7 Watts
Power consumption per year	0.3 kWh	2 kWh
Mast height	---	3.3 m / optional 4.5 m
Weight (excluding mast)	115 kg	560 kg
Maintenance	maintenance-free	
Geographic region	Equator ... 60° latitude	
Art.no.:	1110001	1120001

The systems are designed in accordance with DIN 1055-4 (03/2005). Project-specific assimilation to regional provisions. Subject to technical changes for future improvements.

Scope of delivery:

Complete tracking system in the optimised azimuth axis, DEGERconecter control electronics, mast for TOPtraker HD, module bearing system in aluminium, compatible with the module type used, installation instructions.

Available at any time: From your solar equipment retailer.



DEGERenergie
Tracking Systems

DEGERenergie GmbH • 72160 Horb/Germany
info@DEGERenergie.com • www.DEGERenergie.com